



NMHC2-10D



NMHC2-16S

### Standard Specifications

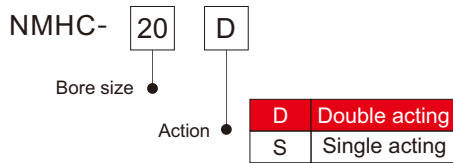
Action		Double acting, Single acting
Fluid		Air
Operating pressure	Double acting	0.1~0.6MPa
	Single acting	0.25~0.6MPa
Ambient and fluid temperature		-10~60°C(Not frozen)
Max. operating frequency		180
Repeatability		±0.01
Lubrication		Not required
Auto switch (Option) <sup>Note)</sup>		Solid state auto switch (3-wire, 2-wire)

\*如需要润滑, 请用透平1号油ISO VG32.

### Symbol



### Standard Specifications

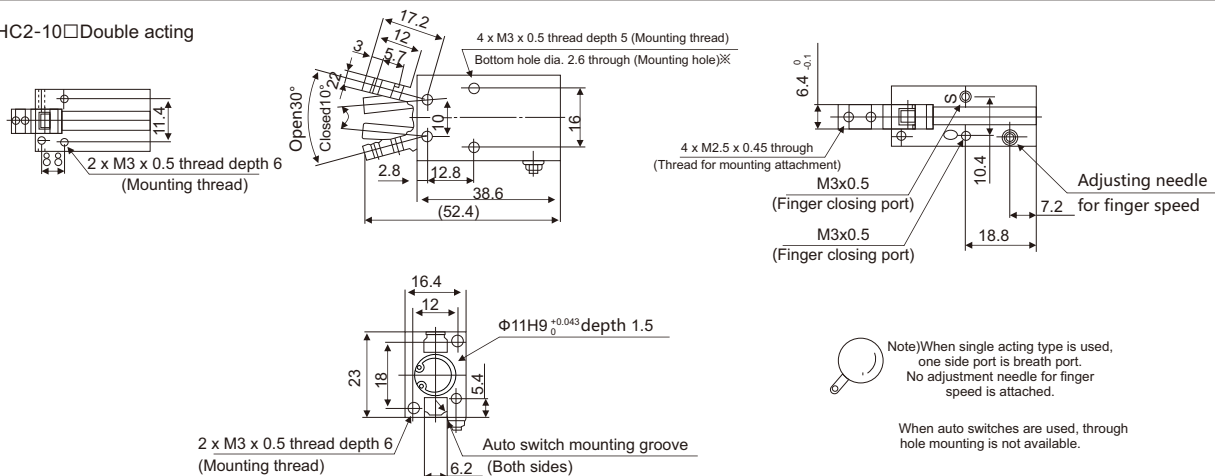


Action	Model	Bore size mm	Gripping moment (N·m) (Effective value) <sup>Note1)</sup>	Opening/closing angle (Both sides)	Weight (g) <sup>Note2)</sup>
Double acting	NMHC2-10D	10	0.10	30°~10°	39
	NMHC2-16D	16	0.39		90
	NMHC2-20D	20	0.70		180
	NMHC2-25D	25	1.36		311
Single acting	NMHC2-10S	10	0.070	30°~10°	39
	NMHC2-16S	16	0.31		92
	NMHC2-20S	20	0.54		183
	NMHC2-25S	25	1.08		316

Note1) At the pressure of 0.5 MPa.  
Note2) Except auto switch.

### Dimensions

NMHC2-10□Double acting

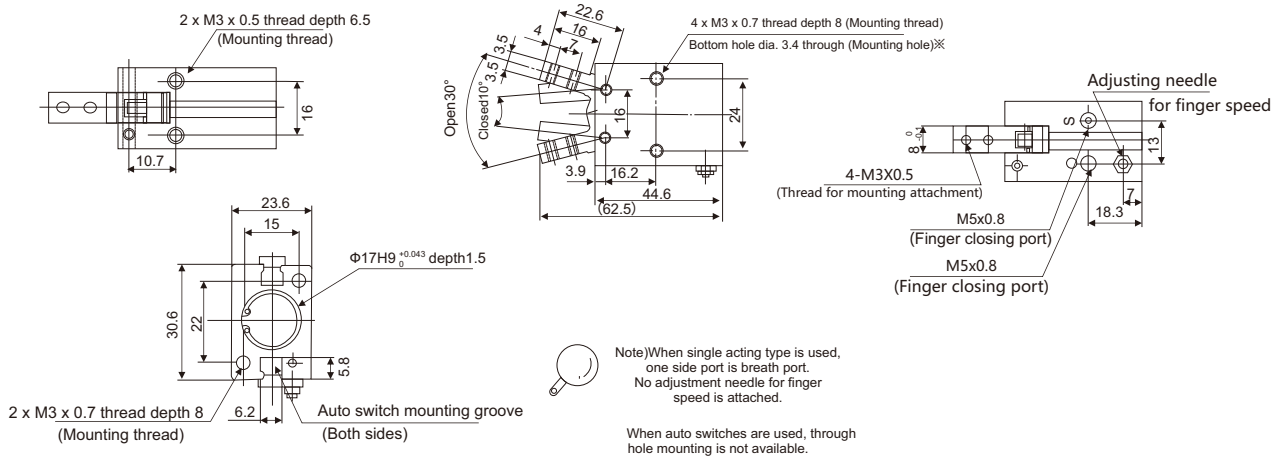


Note) When single acting type is used, one side port is breath port. No adjustment needle for finger speed is attached.

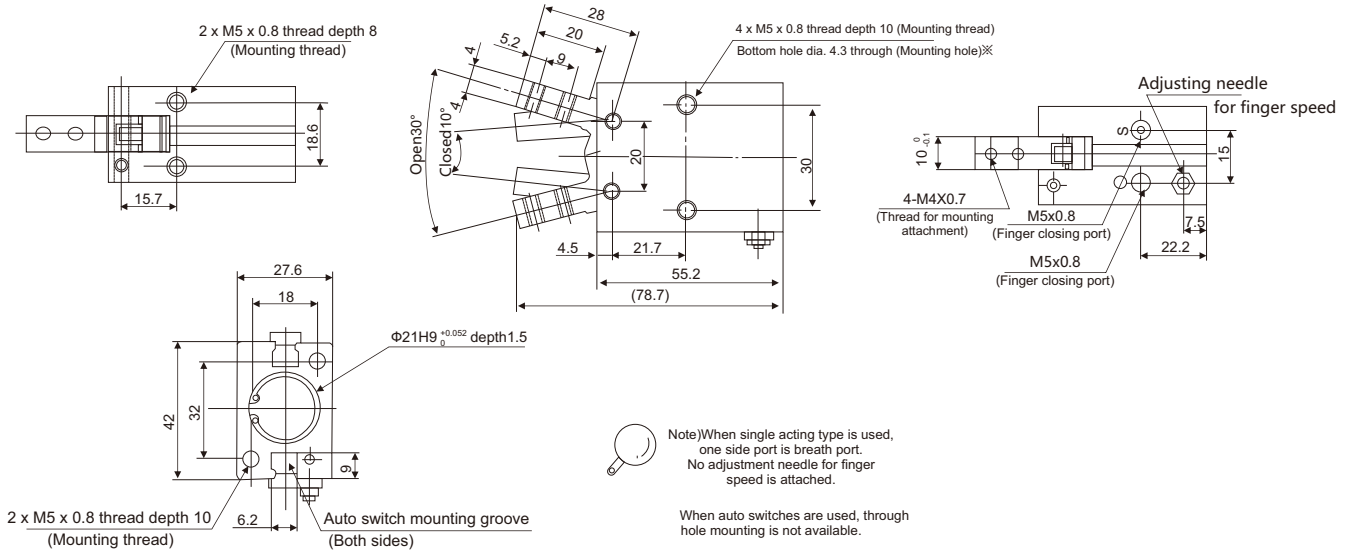
When auto switches are used, through hole mounting is not available.

### Dimensions

NMHC2-16 □ Double acting



NMHC2-20 □ Double acting



NMHC2-25 □ Double acting

